

highest quality customized precision

RD



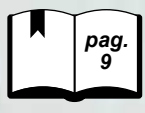
CARATTERISTICHE - SPECIFICATIONS

IN	DIAMETER	∅	1" BSP
	PRESS.	Min.	-0.1 bar - 1.5 PSI
		Max.	6 bar 87 PSI
TEMP.	Max.	74° C. 165° F.	
OUT	DIAMETER	∅	1/2 BSP
SHAFT		∅	30 mm
OIL	SAE 75W90		1.5 litri 0.4 U.S.G.
PESO WEIGHT		Kg lbs	23.0 / 50.7

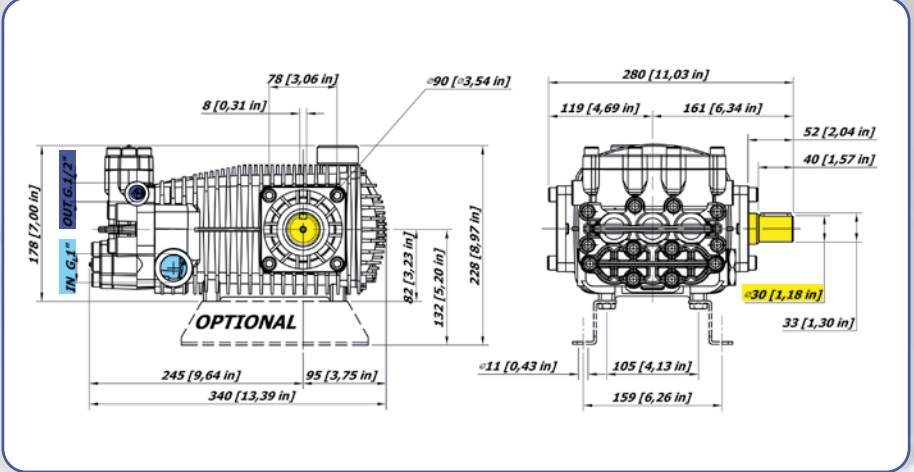
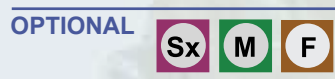


FLANGIA CON GIUNTO ELASTICO PER MOTORI IDRAULICI
 BELL HOUSING + FLEXIBLE COUPLING FOR HYDRAULIC MOTORS

BRIDE AVEC ACCOUPLEMENT ELASTIQUE POUR MOTEURS HYDRAULIQUES
 BRIDA CON JUNTA ELÁSTICA PARA MOTORES HIDRÁULICOS



INTELLIseal™



KIT PIEDINI cod. 08.9829.97.3 (optional)
 MOUNTING RAILS KIT cod. 08.9829.97.3 (optional)
 KIT SUPPORTS cod. 08.9829.97.3 (option)
 JUEGO DE PIES cod. 08.9829.97.3 (opción)

CARATTERISTICHE - FEATURES

PERFORMANCE CHART

MODELLO MODEL CODICE PART NR.	MAX		PRESS		RPM 950				RPM 1200				RPM 1450				PIST. CORSA PLUNG. STROKE Dia. mm mm	
	L/min	GPM	Bar	PSI	L/min	GPM	KW	HP	L/min	GPM	KW	HP	L/min	GPM	KW	HP		
RD 6315 08.1086.97.3	63	16.6	100	1450	42	11.1	8.3	11.1	53	13.9	10.3	13.9	63	16.6	12.4	16.6	30	21
			125	1813	41	10.9	10.1	13.6	52	13.6	12.7	17.0	62	16.3	15.2	20.3		
			150	2175	41	10.8	12.1	16.2	51	13.5	15.1	20.2	61	16.2	18.1	24.2		
RD 7515 08.1085.97.3	75	19.8	100	1450	50	13.2	9.8	13.2	63	16.6	12.3	16.5	75	19.8	14.7	19.7	30	25
			125	1813	49	13.0	12.1	16.2	61	16.2	15.1	20.2	74	19.4	18.0	24.2		
			150	2175	49	12.9	14.4	19.3	61	16.1	18.0	24.1	73	19.3	21.5	28.8		