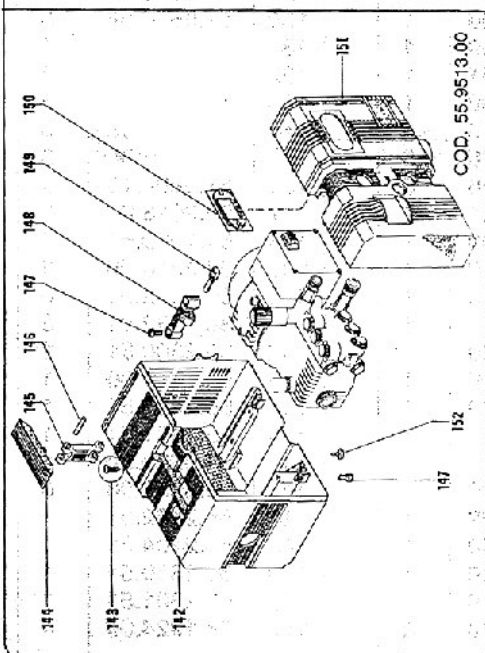


INTER PUMP

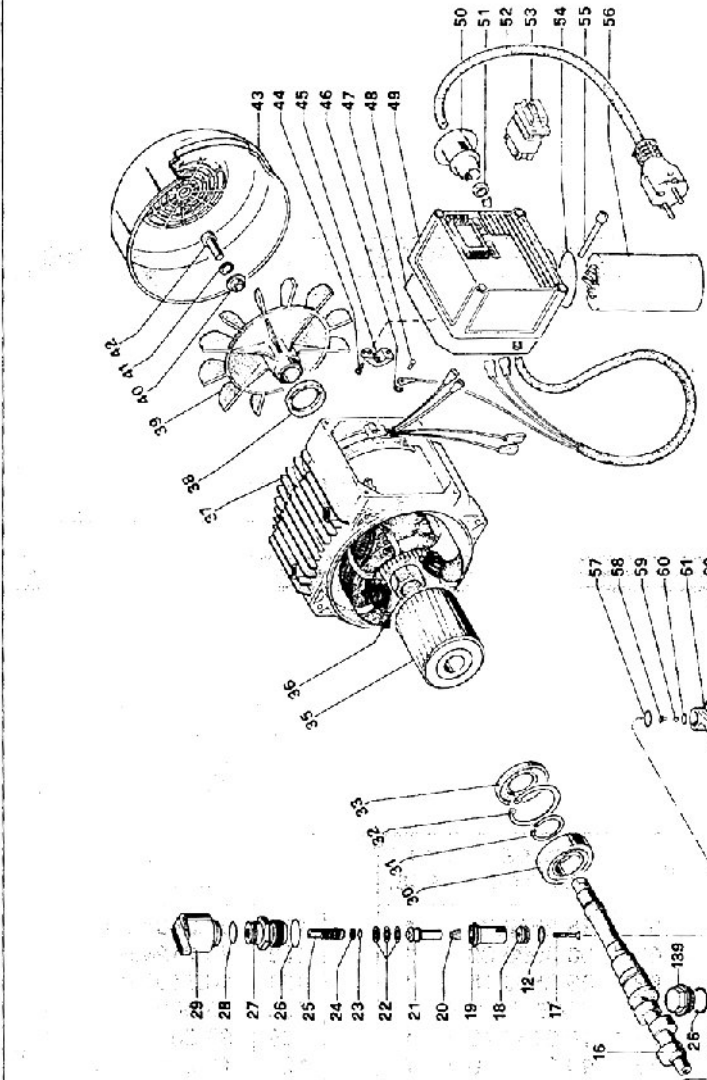
O MAIOR FABRICANTE MUNDIAL DE BOMBAS A PISTÃO

**LAVADORA
GONG**

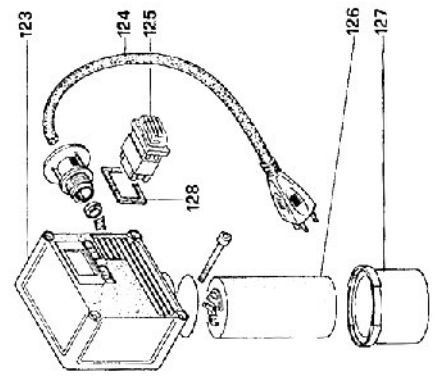
EXPLODIDO



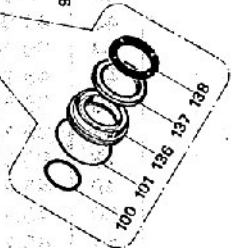
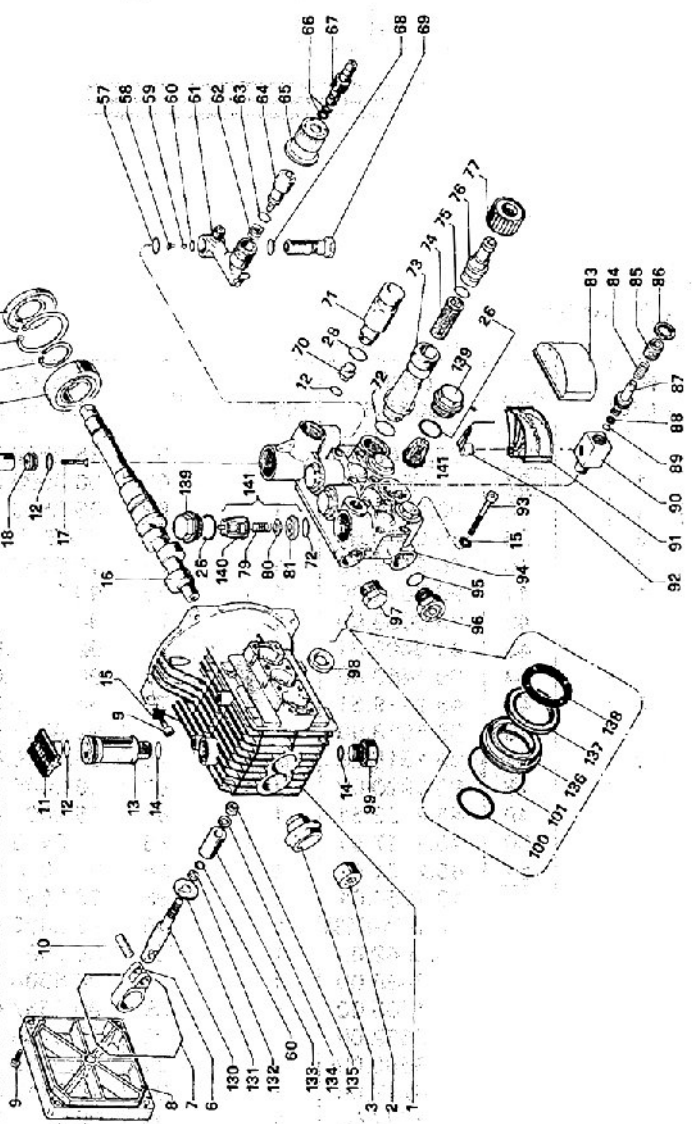
COD. 55.9513.00



X.117S - X.161



DIS. COD. 55.952B.00



DIS. COD. 55.9524.00

FIG.01 POLIA

Ref.	Cod.Fab.	Cod.CCM	Descricao	Ref.	Cod.Fab.	Cod.CCM	Descricao
01	55-0100-22	3162710	CARTER BOMBA SX117-X230	85	36-2580-70	3160630	PARAFUSO REG.14X1 SX117/119-X23
02	91-8014-00	3161740	ROLAMENTO AGULHA P.VIRAB.SX117-X230	86	92-2492-00	3161780	CONTRA PORCA M14x1x17,3 SX119
03	97-5968-00	3162050	BUJAO NIVEL OLEO SX-117/X230	87	36-2589-70	3160640	EMBOLO MANOM. GONG NOVA
06	51-0300-22	3161010	BIELA EXENTR.SX117-X230	88	90-5004-00	3161680	ANEL ANTI-EXTRUSAO 2,90X1,78
07	90-3917-00	3161640	ANEL O 17,13x2,62	89	90-3567-00	3161340	ANEL O 2,90X1,78 SPEC SX119
08	55-1600-51	3165010	TAMPA CARTER SX117-X230	92	10-0419-01	3160120	PONTEIRO MANOMETRO SX117-X230
09	99-1897-00	3165650	PARAFUSO M6x25 UNI 5931 8.8 ZI	93	99-1943-00	3163410	PARAFUSO M6x40 UNI 5931 8.8 ZI
10	97-7310-00	3162090	PINO BIELA 8x24-5 SX117-X230	94	55-1201-22	3162720	CABECOTE BOMBA SX117-X230
11	55-2110-51	3161170	TAMPA OLEO SX117-X230	95	90-3591-00	3161410	ANEL O 14,0x1,78
12	90-3822-00	3161480	ANEL O 9,92x2,62	96	98-2090-00	3162130	BUJAO 3/8x13
13	55-2100-51	3164650	PROLONGADOR TAMPA OLEO	97	98-2100-00	3162140	BUJAO 3/8x13 SX119-X230-TX951
14	90-3833-00	3161530	ANEL O 13,95x2,62	99	98-2091-00	3165440	TAMPAO OLEO
15	96-6938-00	3166420	ARRUELA 6,4X10X0,7	100	90-3835-00	3161540	ANEL O 15,08x2,62
22	92-7705-00	3163220	ANEL ANTI-EXTRUSAO X117/230	101	90-3604-00	3168560	ANEL 25,12 X 1,78
23	90-3577-00	3162730	ANEL O 7,66x1,78	123	45-2124-51	3164640	CAIXA INT. 110V B/G
24	90-5033-00	3165110	ANEL ANTI-EXTRUSAO 8X11X1,5	124	10-7187-01	3160300	CABO LIGACAO SX119 2.5MTS
25	36-3192-70	3164120	EIXO REGULADOR	125	93-5028-00	3161840	DISJUNTOR SX117 VIDE 93-5028-01/02
26	90-3847-00	3161560	ANEL O 20,42x2,62	126	93-5688-00	3161890	CONDENSADOR 80mF SX117/119
27	36-3193-70	3164130	CORPO DA VALVULA REG.	127	45-2120-51	3163900	COBERTURA CAPACITOR SX117/230
28	90-3832-00	3161520	ANEL O 13,95x2,62 SPEC	128	41-2126-84	3160850	GUARNICAO CHAVE SX117/119-X230
29	36-3191-51	3163400	MANOPLA REGUL.PRESSAO SX117-X230 NV	130	51-0500-56	3161030	GUIA PISTAO SX117-X230
30	91-8373-00	3162760	ROLAMENTO 6206	131	96-7070-00	3161990	ARRUELA 9x23x0,5 SX117-X230
31	90-0667-00	3165130	TRAVA SEGURANCA	133	51-0400-09	3161020	PISTAO CER. 15X9X25 GONG/906/907
32	90-0850-00	3165140	TRAVA SEGURANCA D62	134	96-7008-00	3161980	ARRUELA 8x13x1 SX117-X230-TX95
33	90-1650-00	3161310	RETENTOR 30x62x7 SX117-X230	135	92-2216-00	3161760	PORCA EMBOLO 8x13x5 INOX
38	90-1632-00	3161290	FILTRO VA28 SX117-X230	136	51-0800-70	3168550	ANEL
39	45-0300-51	3160970	VENTOINHA SX117-X230	138	51-1000-51	3168530	ANEL
40	45-2125-70	3161000	ESPAÇADOR SX117-S230	139	98-2218-00	3169370	BUJAO M24 X 1,5
41	96-7014-00	3164680	ARRUELA PRESSAO 8,4x13x0,8	140	36-2002-51	3168520	GUIA VALVULA
42	99-3059-00	3164690	PARAFUSO M8x20	141	36-7032-01	3160800	VALVULA SX117-X230
43	45-0400-51	3162690	COBERTURA VENTILADOR SX117-X23	142	55-2300-51	3162590	CARENAGEM GONG FIXA GDE
45	45-2119-51	3160990	PRESILHA FIO SX117-X230	143	99-1474-00	3165570	PARAFUSO 4,8x13
47	99-1515-00	3166340	PARAFUSO	144	55-2400-51	3161200	SUSPENSORIO SX117-X230
48	90-3920-00	3161650	ANEL O 101,27x2,62	145	55-2401-51	3161210	BRACO SUSPENSORIO SX117-X230
49	45-2103-51	3180420	CAIXA INTERRUPTOR 220V	146	97-6200-00	3162080	PINO HASTE 8,5x35 SX117-X230
52	10-7187-01	3160300	CABO LIGACAO SX119 2.5MTS	147	99-3039-00	3166780	PARAFUSO M8x16
53	93-5042-00	3161850	INTERRUPTOR X230	148	55-2402-51	3161240	SUPORTE MANOPLA
54	90-3889-00	3161610	ANEL O 48,89x2,62	150	55-2350-51	3163570	BASE INTERRUPTOR X230
56	93-5632-00	3161870	CONDENSADOR 30mF X230	151	55-2301-51	3162600	CARENAGEM GONG MOVEL PEQ.
57	90-3582-00	3163370	ANEL O 9,25x1,78	152	98-1924-00	3163120	PROTECAO PEDESTAL CL11
58	94-8217-00	3163420	MOLA CONICA D.4,3x7,3,3x11				
59	97-4782-00	3163430	ESFERA 7/32 INOX				
60	90-3572-00	3161370	ANEL O 5,28x1,78				
61	36-3181-51	3164100	CORPO DOSADOR				
63	90-3580-00	3163360	ANEL O 8,73X1,78				
64	36-2564-70	3164060	EMBOLO REGULAGEM				
65	36-2565-51	3164070	BOTAO REGULADOR DETERGENTE				
66	90-3570-00	3161360	ANEL O 4,42x1,78 TX				
68	90-3585-00	3161400	ANEL O 10,82x1,78				
69	36-2563-70	3160600	SEDE VALVULA TX951				
70	10-0307-51	3162520	BUCHA NIPEL VALVULA				
71	10-0147-70	3160070	CONECTOR M22x1.5 SX117-X230-TX				
72	90-3841-00	3165080	ANEL O 17,13x2,62				
73	36-3182-51	3160670	CONEXAO ENTRADA 3/4 SX117-X230-T				
74	92-8925-00	3161800	FILTRO TELA ENTR.12x3,5 TX951				
75	90-3828-00	3161500	ANEL O 2,37x2,62				
76	36-2569-51	3160610	ENGATE RAPIDO ENTRADA				
77	92-9828-00	3161830	PORCA SINTEX G3/4				
79	94-7376-00	3168510	MOLA 9,4X14,8				
80	36-2001-76	3168500	VALVULA				
81	36-2003-66	3168490	SEDE VALVULA				
83	10-0415-51	3160110	VISOR MANOMETRO SX117-X230				
84	94-7338-00	3161920	MOLA CALV.MANOM.SX117/119-X230				

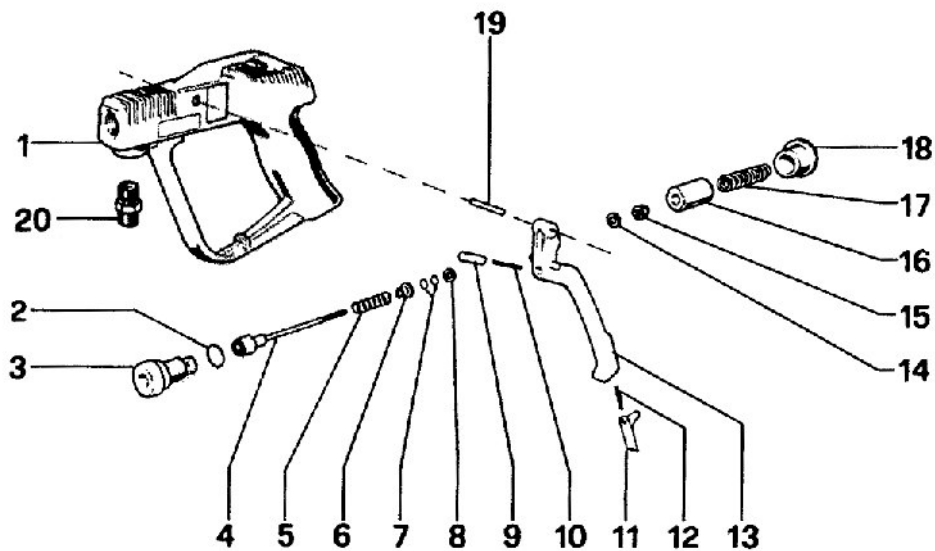


FIG.02 PISTOLA

Ref.	Cod.Fab.	Cod.CCM	Descricao
01	18-2056-02	3160360	CARCACA PISTOLA P10 SX117-X230
02	90-3841-00	3165080	ANEL O 17,13x2,62
05	94-7378-00	3165690	MOLA
06	18-2042-70	3163840	GUIA DA MOLA
07	90-3568-00	3161350	ANEL O 3,69X1,78 SPEC TX
08	90-5007-00	3161690	ANEL ANTI-EXTRUSAO 4,68X1,5
09	18-2053-70	3163860	PERMO
10	94-7305-00	3165640	MOLA ZINCADA 3,6X28
11	18-2050-51	3160350	TRAVA GATILHO TX
12	94-7303-00	3161910	MOLA 2,8X21 TX951
13	18-2048-51	3160340	GATILHO PISTOLA P10 SX117-X230
14	96-6840-00	3165760	ARRUELA
15	92-1935-00	3165600	PORCA M-4X7X6
16	18-2052-70	3163850	GUIA DA MOLA
17	94-7414-00	3165290	MOLA 13x44,5
18	98-2192-00	3165470	BUJAO DA PISTOLA
19	97-6155-00	3162070	PINO GATILHO 5x30 SX117-X230
20	95-2840-00	3164420	NIPEL

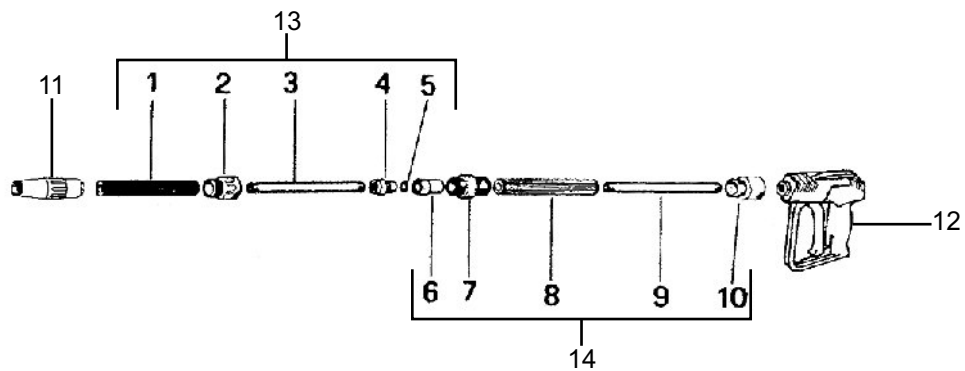


FIG.03 LANÇA

Ref.	Cod.Fab.	Cod.CCM	Descricao
02	10-0295-51	3164540	CAPA ENGATE C/ROSCA
04	10-0297-70	3164570	ENGATE LANCA MACHO
05	90-3820-00	3161470	ANEL O 9,13 X 2,62
06	10-0298-70	3164580	ENGATE LANCA FEMEA
07	10-0296-51	3164500	CAPA INTERMEDIARIA BIG/GONG
10	10-0294-51	3163450	CAPA PISTOLA BIG/GONG
11	ZREG1	3162870	BICO MULTIREG SX117-X230
12	ZP11	3162860	PISTOLA CPL SX117-X230 (PUNHO)
13	ZZSUP25	3162900	LANCA BICO
14	ZZINF	3162890	LANCA PISTOLA SX117/X230

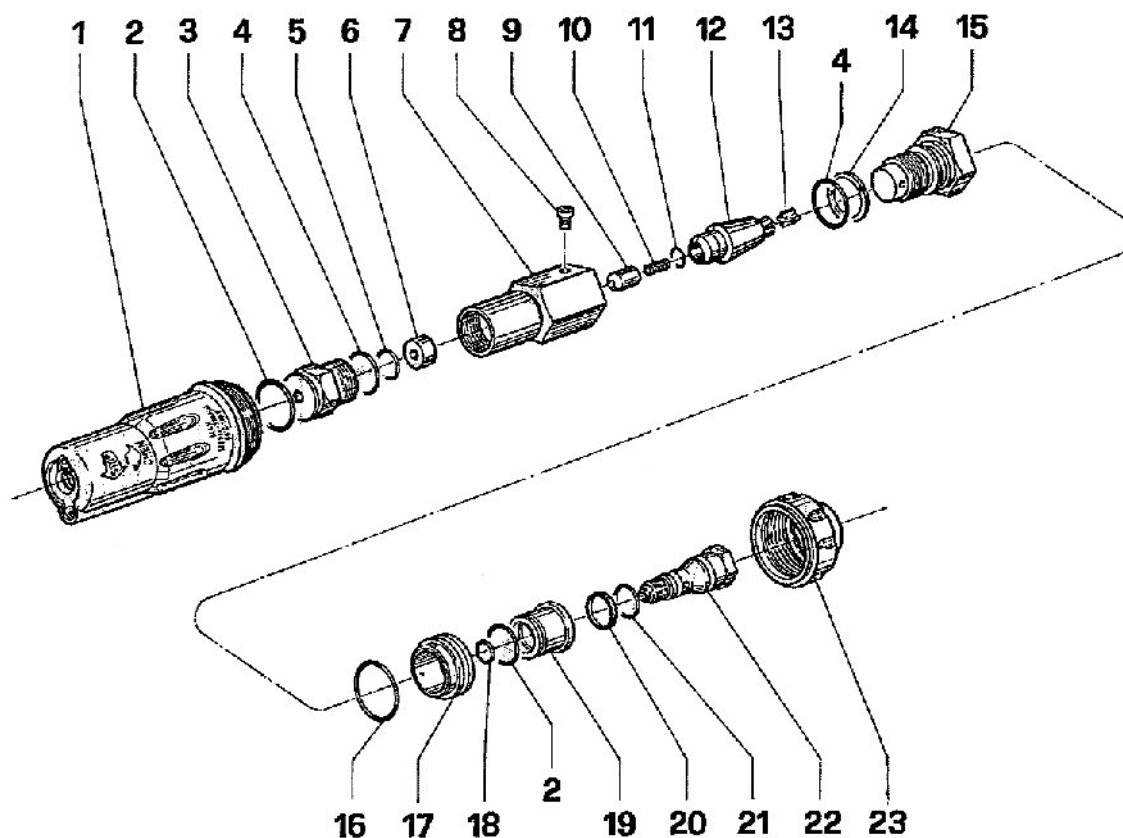


FIG.04 BICO ROTOTEK

Ref.	Cod.Fab.	Cod.CCM	Descricao
	ZROTOTEK	3162480	BICO ROTOTEK 150 P/ GONG (COMPLETO)
01	10-0568-51	3160290	CAPA PONTEIRA ROTOTEC
02	90-3845-00	3161550	ANEL O 18,72x2,62
03	10-0450-70	3160140	BICO PONTEIRA M18x1,5 TX 951
04	90-3835-00	3161540	ANEL O 15,08x2,62
05	90-3585-00	3161400	ANEL O 10,82x1,78
06	10-0455-09	3160180	SEDE CERAMICA SX117/X230/TX
07	10-0451-70	3160150	CORPO PONTEIRA TX951
08	99-0702-00	3162850	PARAFUSO M3X4 INOX ROTOTEK
09	10-0456-09	3160190	BICO CERAMICA SX117/X230/TX
10	98-6725-00	3162180	GICLEUR SX117-X230 - 150
10A	98-6756-00	3164510	GICLEUR 155
11	90-3574-00	3161380	ANEL O 6,07x1,78
12	10-0564-02	3160260	ACENTO GICLER SX117/X230/TX
13	10-0453-51	3160160	GUIA FLUXO
14	90-5090-00	3161710	ANEL ANTI-EXTRUSAO 15,8X20X2,0
15	10-0454-70	3160170	DIFUSOR 1,6 GONG /ROTOTEK 150
16	90-3867-00	3161590	ANEL O 31,42x2,62
17	10-0567-51	3160280	ANEL ADAPTADOR TX
18	90-3819-00	3161460	ANEL O 9,12 X 2,62
19	10-0485-70	3160210	BUCHA DISTRIB.TX
20	90-2680-00	3161320	ANEL 18 TX951
21	90-3828-00	3161500	ANEL O 2,37x2,62
22	10-0484-70	3160200	NIPEL DISTRIBUIDOR ROTOTEK
23	10-0566-51	3160270	TAMPA ROTOTEK PONTEIRA

KITS

Kit Nr.	Composição de Itens	Cod.CCM	Descrição
01	72-79-80-81-140-141	3164250	KIT VÁLVULA ASPIRAÇÃO
83	98	3164260	KIT RETENTORES
84	26-139	3162220	KIT REPARO TAMPÃO
85	100-101-136-137-138	3162230	KIT REPARO GAXETA
87	100-101-137-138	3164270	KIT VEDAÇÃO PISTÃO
94	12-28-57-58-59-60-62-63-66-68	3162270	KIT VÁLVULA REGULAGEM
105		3162310	KIT PISTOLA REPARO
120	12-17-18-19-20-21-22	3163150	KIT BY-PASS